

**SPECIFICATIONS**

**Material:** Boot: APM-RUBRGLAS (transparent silicone rubber) conforms to type ASTM D 1418. Frame: steel, zinc plated with chromate finish. Screws: SEELSKREWS (self-sealing screws), stainless steel with silicone rubber O-ring.

**Temperature Range:** E-SEELS: -80°F to +400°F

**Pressure Range:** Dust tight and splashproof.

**Resistant to:** Salt spray, weather, sunlight, ozone, corona and most acids.

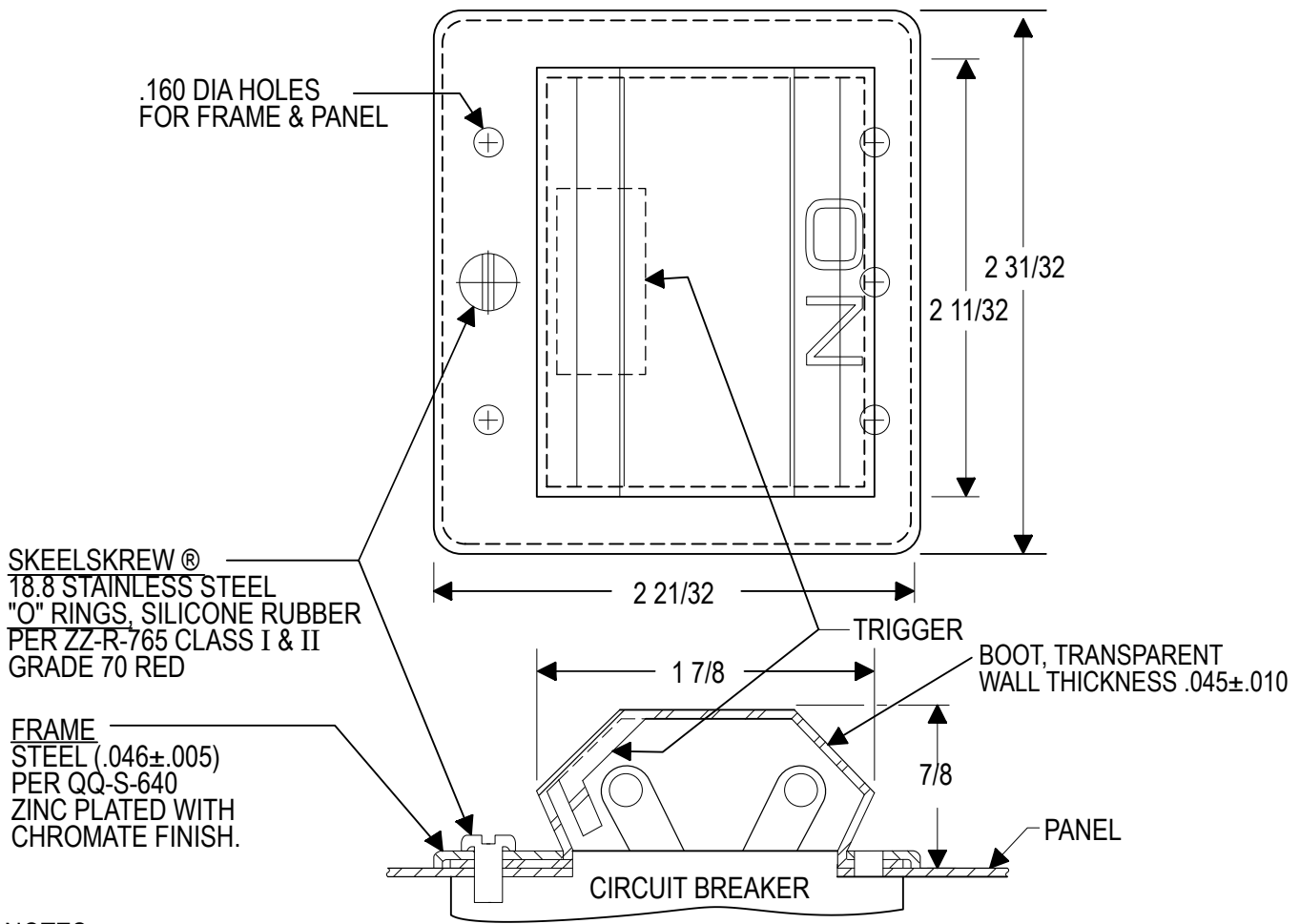
**Shelf Life:** Excess of 25 years.

**Operational Life:** 10,000 actuations, minimum.

**Notes:**

1. Mounting screws are supplied in lengths shown unless otherwise specified.
2. New sizes and types of RUBRGLAS-SEELS® are being added regularly. Please request other types and styles as required.

**Agency Recognition:** Front Panel mounted Circuit Breaker Boots are UL-listed to UL Std. 50, types 1, 2, 3, 12, 12K, and 13. Back-of-Panel mounted Circuit Breaker boots are UL-listed to UL Std. 50, type 1. Also meet CSA standards.



**NOTES:**

ASSEMBLY CONSISTS OF 1 BOOT, MAT'L APM RUBRGLAS®, 1 FRAME MAT'L C.R.S. ZINC PLATED WITH CHROMATE FINISH, & 2 #6-32 APM SEELSKREWS® LENGTH = 3/8 UNLESS OTHERWISE SPECIFIED, DESIGNED TO MEET MIL-B-5423

**TOLERANCES:** UNLESS OTHERWISE NOTED ± 1/32

H	CAD COMPUTER GENERATED		11-13-02
G	TRIGGER ADDED	M. MORSE	4-26-93
REV.	DESCRIPTION		DATE
	CIRCUIT BREAKER BOOT, TOGGLE, WIDE ANGLE, TRANSPARENT (3 POLES)	ENG.	
		DWN.	J. PALUMBO 12-29-58
	APM-HEXSEAL CORPORATION	CHKD.	
		SCALE	DWG. NO. CT-1050
	MAT'L: SILICONE RUBBER POLYMER TYPE ASTM D 1418	1 : 1	
	FINISH: GRADE 50 TRANSPARENT		

THIS DRAWING COVERS PROPRIETARY ITEM AND IS THE PROPERTY OF THE APM-HEXSEAL CORPORATION. THIS DRAWING IS NOT TO BE COPIED OR USED WITHOUT THE WRITTEN APPROVAL OF AN OFFICER OF THE APM-HEXSEAL CORPORATION.